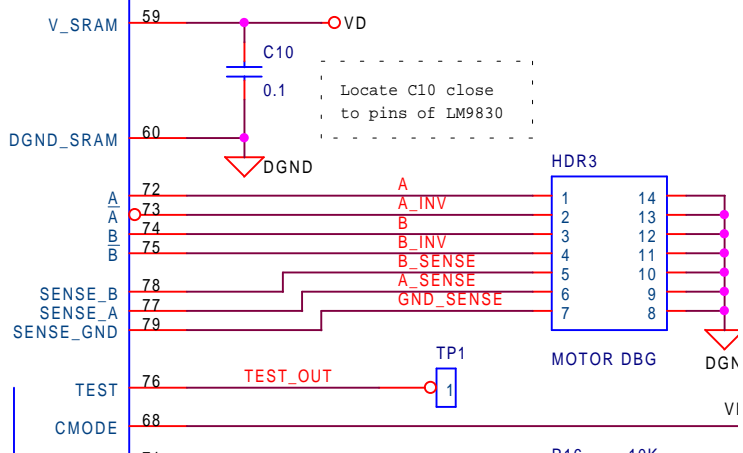
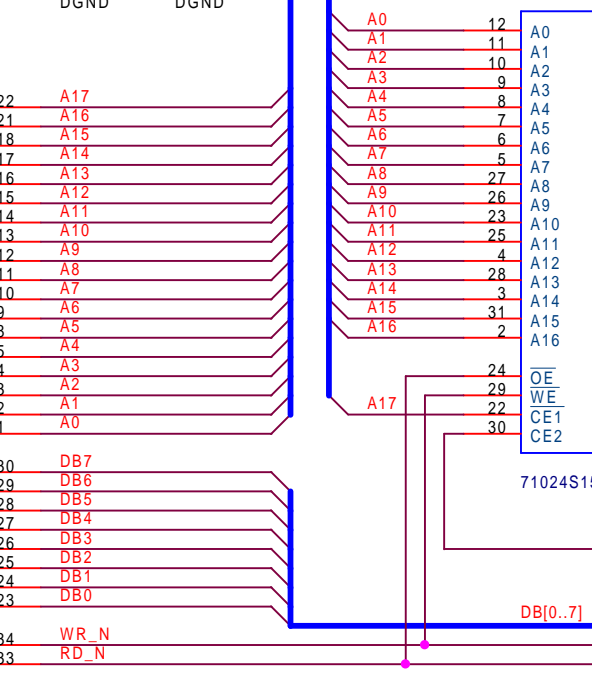
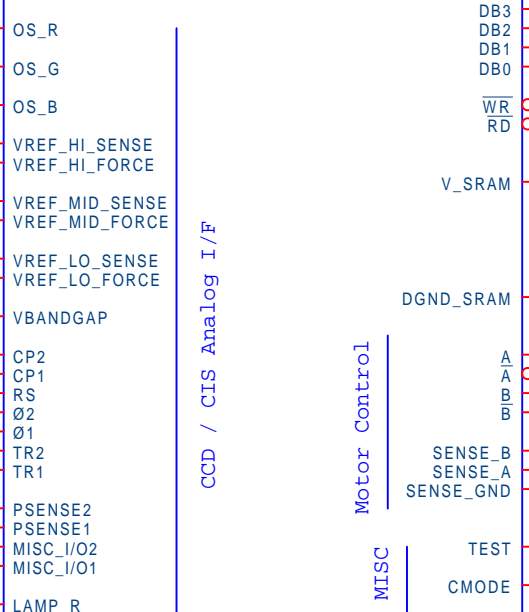
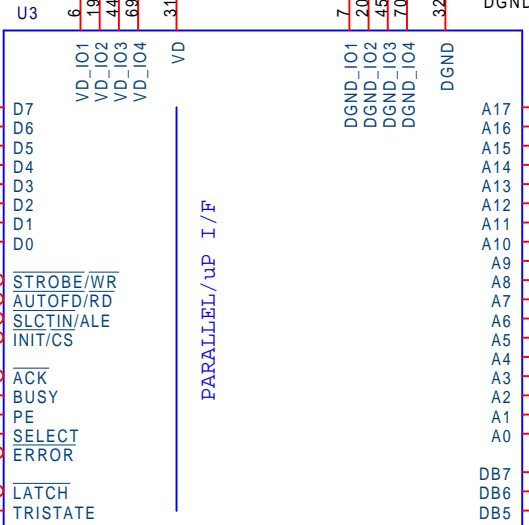
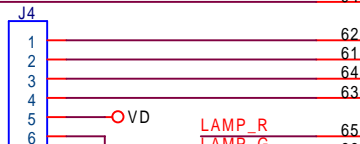
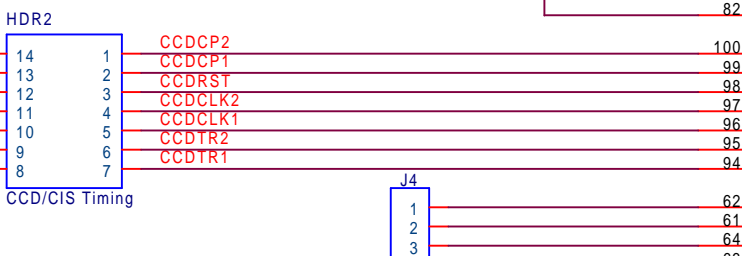
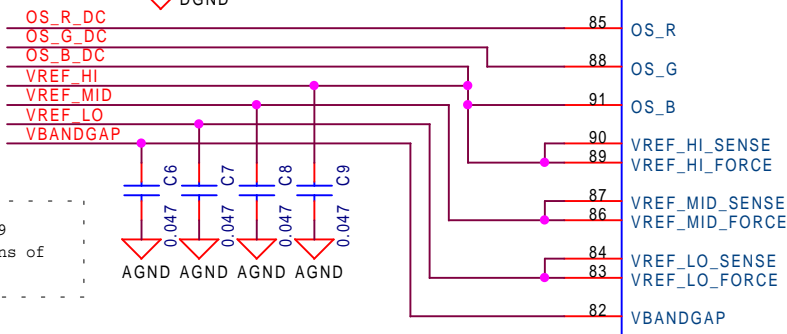
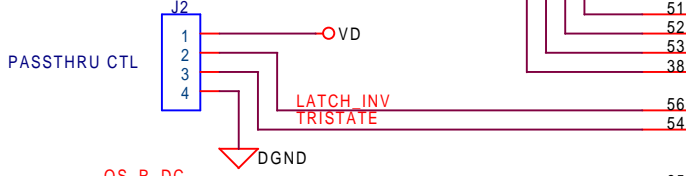
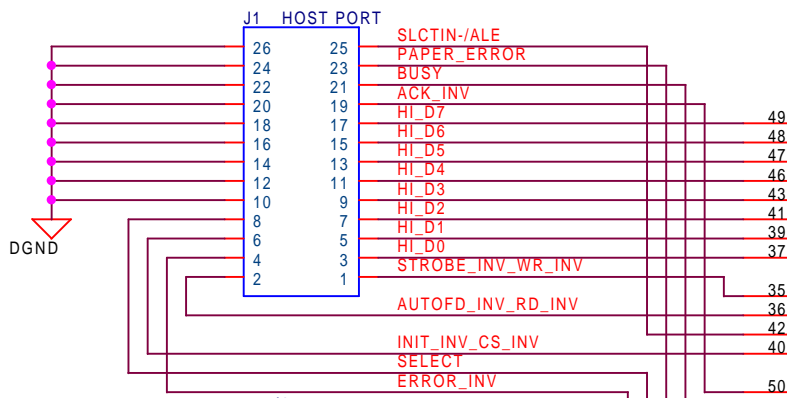
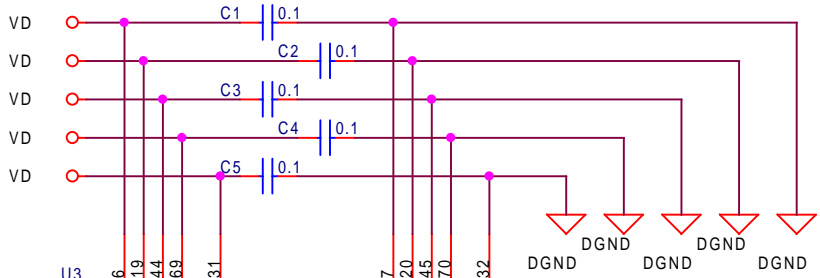


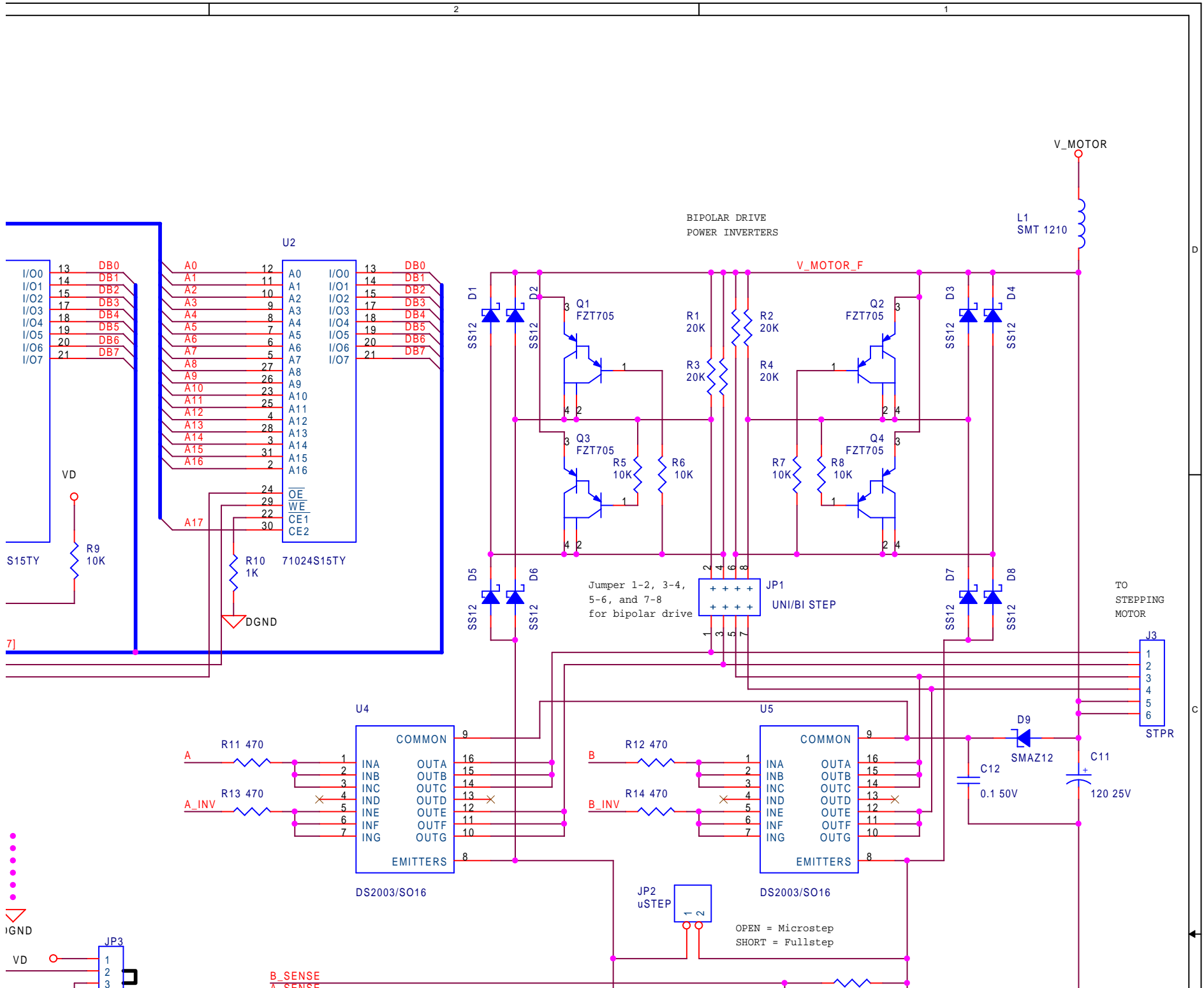
Locate C1-C5
close to pins of
LM9830



Locate C10 close
to pins of LM9830

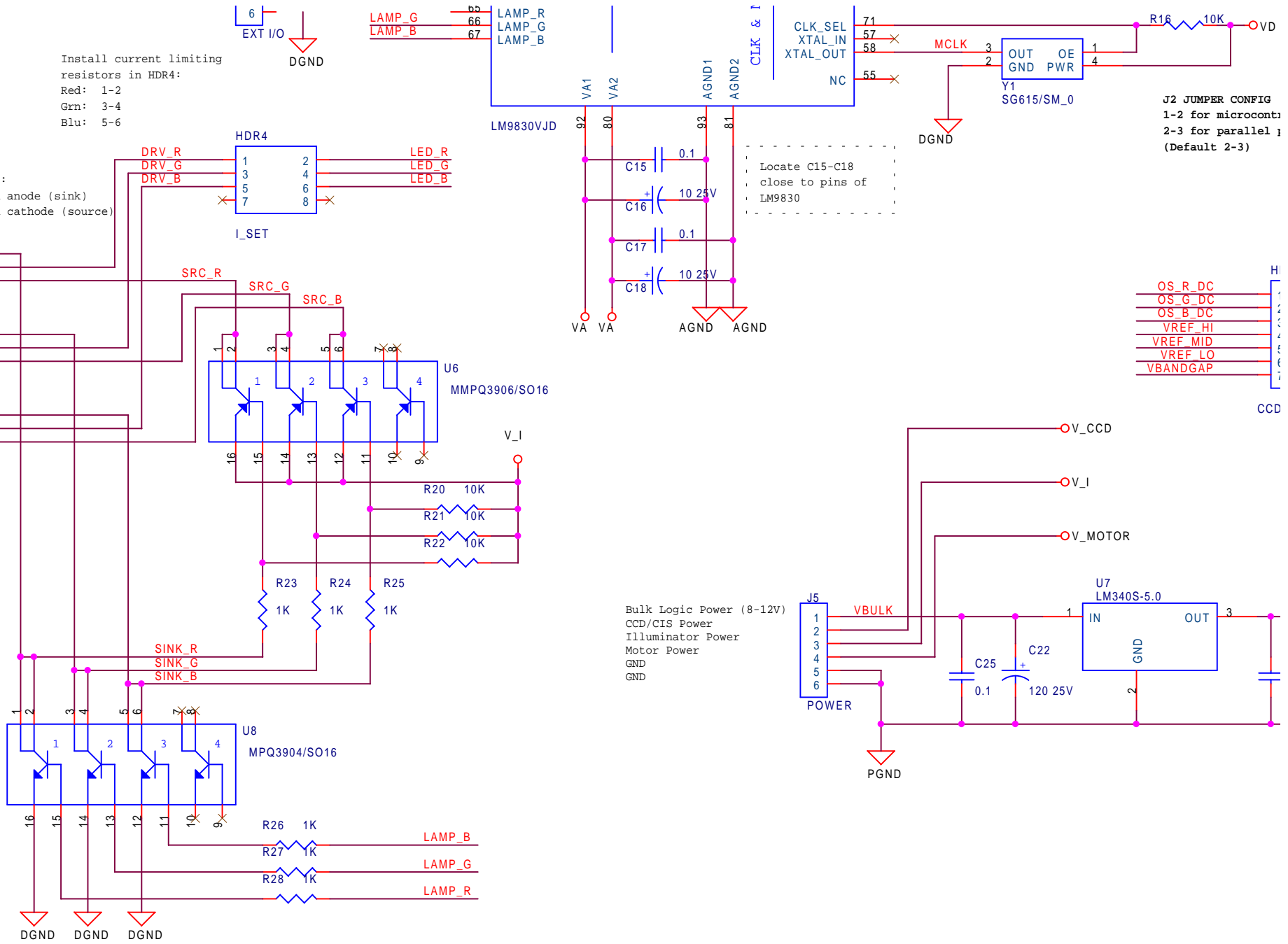
PARALLEL/uP I/F
CCD / CIS Analog I/F

Motor Control
MISC



Install current limiting resistors in HDR4:
 Red: 1-2
 Grn: 3-4
 Blu: 5-6

Jumper as follows:
 1-2 for common anode (sink)
 2-3 for common cathode (source)

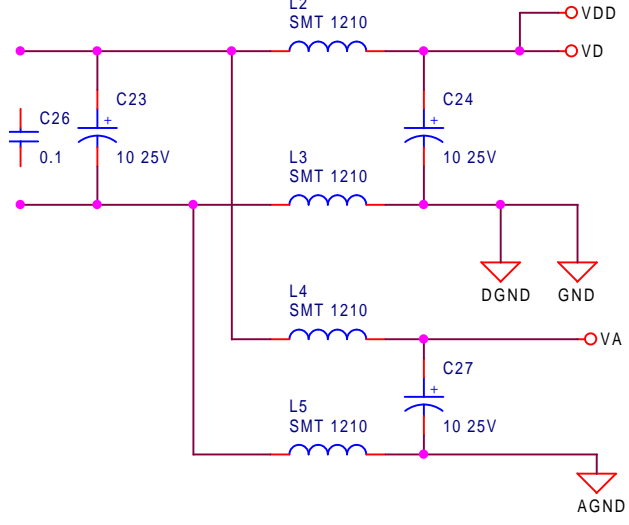
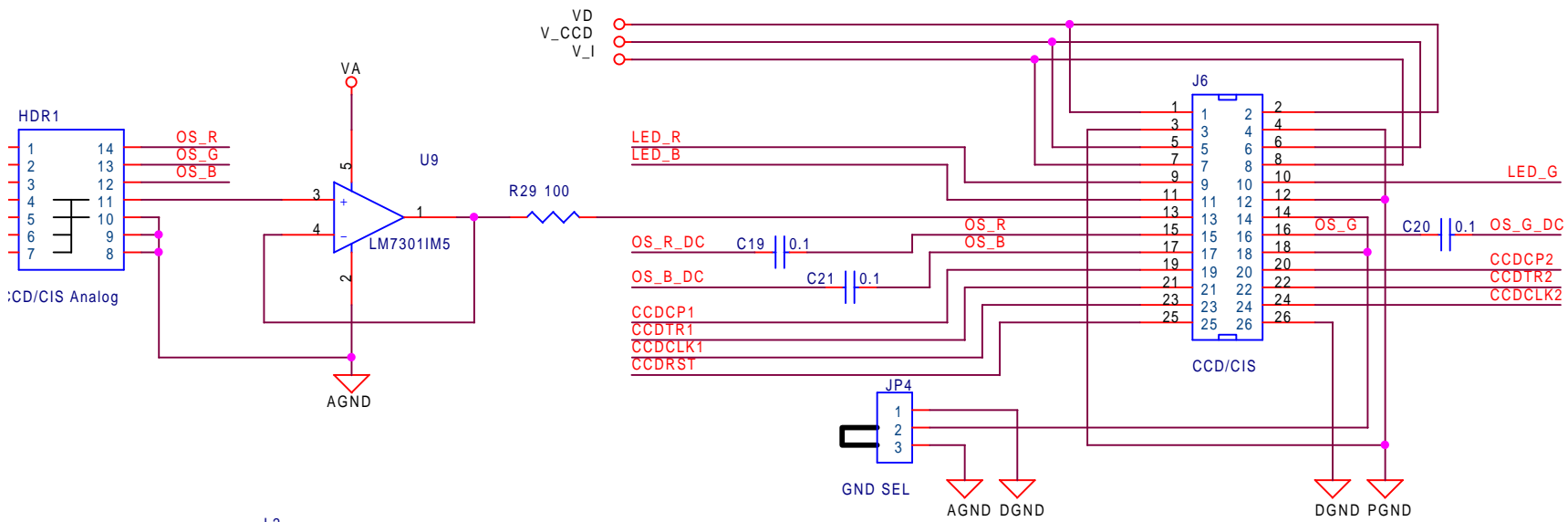
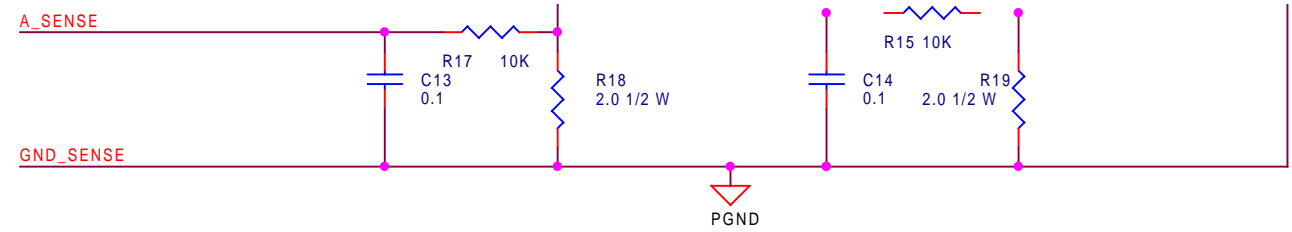
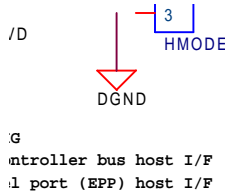


Locate C15-C18 close to pins of LM9830

J2 JUMPER CONFIG
 1-2 for microcont
 2-3 for parallel
 (Default 2-3)

- OS_R_DC
 - OS_G_DC
 - OS_B_DC
 - VREF_HI
 - VREF_MID
 - VREF_LO
 - VBANDGAP
- CCD

Bulk Logic Power (8-12V)
 CCD/CIS Power
 Illuminator Power
 Motor Power
 GND
 GND



Designed by:
 Gene Gerety
 For:
 IAMMP
 (International Association of
 Mechanical Music Preservationists)

Title		
RollSCAN-1 Parallel Port/uP Host Scanner Controller		
Size	Document Number	Rev
C	0000-9830-0001	C
Date:	Wednesday, June 13, 2001	Sheet 1 of 2

Revision
Letter Date Engineer Description of Change

A	09 May 2001	E. Gerety	Initial Release
B	11 May 2001	E. Gerety	Added D7, D8 -- renumbered original D7 to D9. Corrected placement notes for C6-C9 and LED current setting resistors. Added notes for other capacitor placement. Corrected connection points of D5-D8. Changed LED drive circuit to prevent board damage in the event of U6 failure.
C	21 May 2001	E. Gerety	Added buffered reference voltage output for CIS. Changed HDR1 to permit more flexible reconfiguration of CCD/CIS analog signals. Changed C11,C22 to 120uF from 100uF: availability problems Changed U9 to LM7301IM5: availabilty problems. Changed pin numbering on HDR1-HDR4 to match conventional DIP pin numbering

D

D

C

C

B

B

A

A

Title		
RollSCAN-1 Revision History		
Size	Document Number	Rev
A	0000-9830-0001RH	C
Date:	Wednesday, June 13, 2001	Sheet 2 of 2